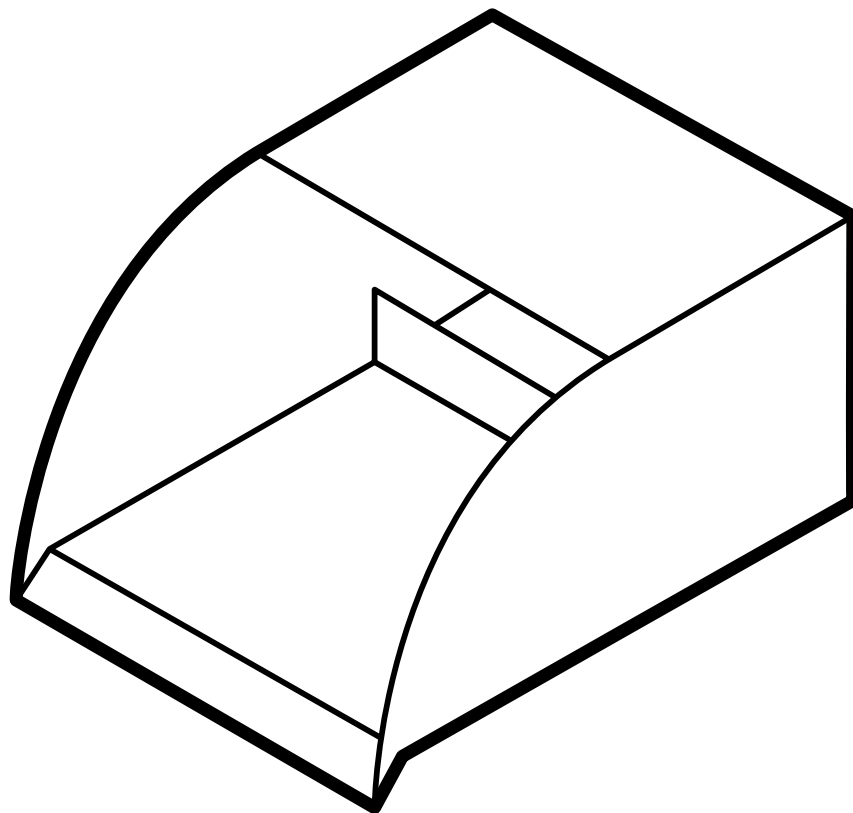


Trex[®] Outdoor Fire & Water[™]

SPELLWAY WATER FEATURE

INSTALLATION INSTRUCTIONS

SAVE THESE INSTRUCTIONS FOR FUTURE REFERENCE



IMPORTANT SAFETY INFORMATION: READ AND FOLLOW ALL INSTRUCTIONS

Save these instructions. Leave manual with homeowner after installation.

Improper installation, adjustment, alteration, service, or lack of maintenance can cause injury or property damage. Read the installation, operating, & maintenance instructions thoroughly before installing or servicing this equipment.

A. SPECIFICATIONS

1. PRODUCT DETAILS

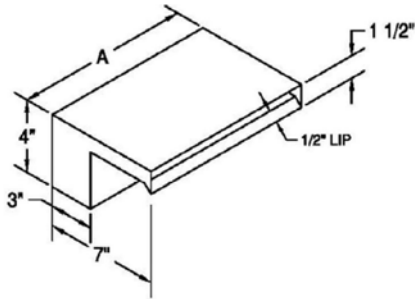
BONDING LUG

- All spillways come with a bonding lug on the back.
- This is a grounding lug used to ground the spillway

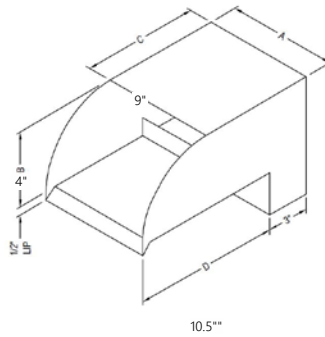
INLET: All spillways are manufactured with a 1 1/2" NPT female inlet in the back

2. DIMENSIONS

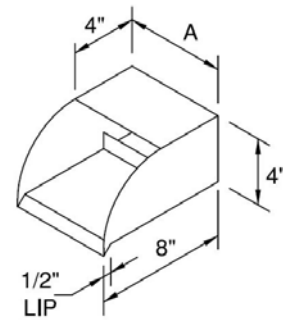
SMOOTH FLOW SPILLWAY



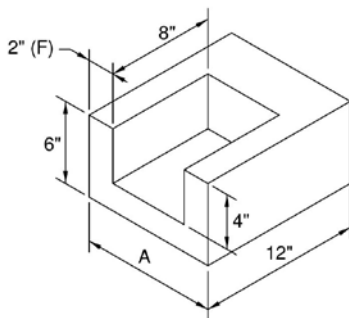
SMOOTH FLOW RADIUS SPILLWAY



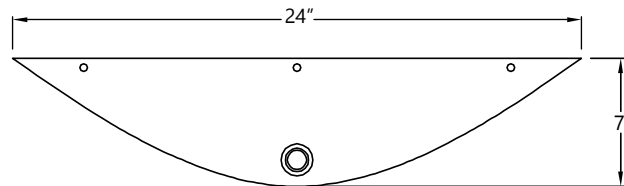
RADIUS SPILLWAY



U-SHAPE SPILLWAY



WALL MOUNTED BOWL



B. INSTALLATION LOCATION

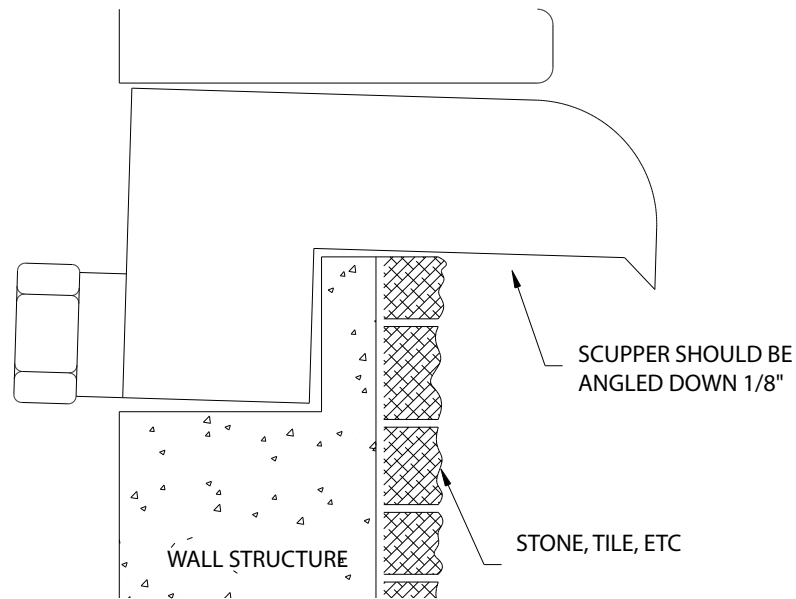


FIGURE 1

1. LEVELING & PLACEMENT

- Standard Spillways
 - Spillways should be installed inside a wall structure with the lip extended out from the wall
 - All spillways must be installed 1/8" OFF LEVEL down in the front. This means the spillway should be pointed down towards the body of water 1/8". The angle helps the water flow off the lip and reduces spill-back under the spillway
- Wall Mounted Bowls
 - Bowls are mounted to a wall using mounting brackets.
 - Standard sizes come with three 6" long 3/8" thick mounting brackets across back top of bowl.

2. MASONRY FINISHING

- Ideally the spillway should be on site when the column or wall is being built.
- If the spillway is NOT on site, leave a 1" gap in the masonry to allow for leveling adjustments.

D. PLUMBING

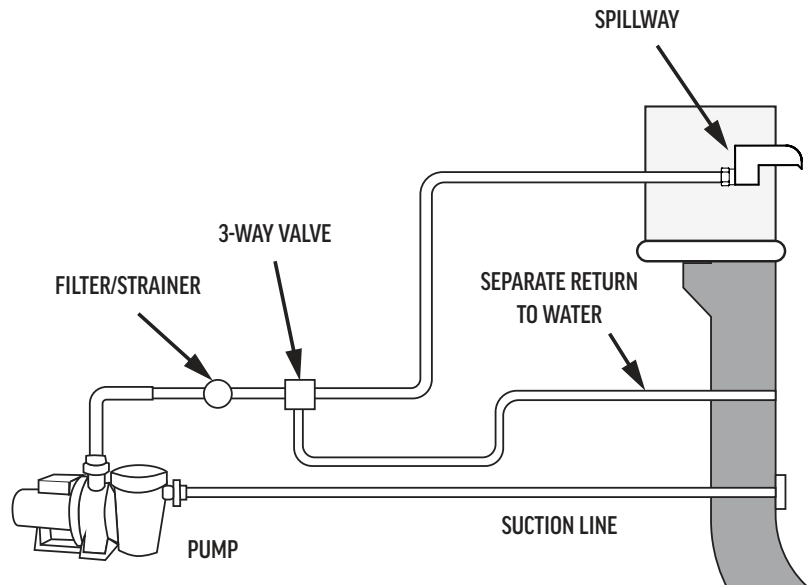
1. PLUMBING INSTALLATION

a. RECOMMENDED PLUMBING

- Use multiple pumps when installing multiple water features.
- The dedicated pump should be plumbed with properly sized PVC pipe.
- A filter strainer is recommended between the pump and the spillway.

b. BALANCING THE FLOW

- A 3-way valve is recommended after the pump to allow the flow to be regulated between the spillway and the water return. The recommended location for this valve is after the filter near the equipment pad.
- When plumbing two or more spillways, follow all of the previous instructions with the addition of a 2-way ball valve for each water feature. The valve is necessary to balance the water flow between the units.



2. INLET PLUMBING

- Each spillway has a single 1.5 inch NPT inlet in the back
- Plumb each with a single ball valve for flow regulation (FIGURE 4)

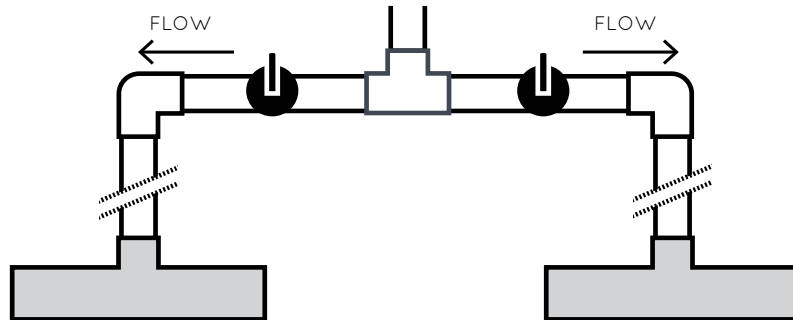


FIGURE 4

3. FLOW RATES

- Flow rates vary by product model and design
- Listed flow rates are per foot. (Example: 12" Radius Spillway is 15-20GPM, 24" Radius Spillway is 30-40GPM)
- Adjust the flow on site after installation with a valve to get the desired look at the water feature.

RADIUS	SMOOTH FL	SMOOTH RAD.	TUNNEL	U-SHAPE	BOWL
15-20 GPM	25-30 GPM	25-30 GPM	15-20 GPM	15-20 GPM	15-10 GPM

E. MATERIAL CARE GUIDE

COPPER

PATINA: Dark brown to green to blue. All copper products will patina. Patina is a natural process of oxidation where copper reacts to the elements and produces a series of colors that build up in order to protect the copper. The final color can vary widely depending on location, environment and other factors.

WHAT COLOR WILL MY PRODUCT BE?

All products ship in their natural copper state. Depending on where they are stored or transported, patina may begin to develop. It is **very likely** the color may change between manufacture and delivery and will continue to patina after installation. Copper can be cleaned after installation to reset the patina process.

CLEANING

- Patina color may vary from piece to piece, even when delivered on the same day. If you prefer to restore the material after installation, a cleaning solution such as TarnX® may be used.
- Hand Prints/Water Spots: Products develop hand prints from handling or water stains from water testing. The natural patina process will cover up the markings as the whole piece begins to darken.

STAINLESS STEEL

PATINA

Stainless steel does not develop a patina.

CLEANING

- Stainless steel is steel that is "stain-less" however, this DOES NOT MEAN THAT STAINLESS STEEL WILL NEVER RUST OR CORRODE. Stainless steel can show water spots and deposits of minerals or other natural substances that appear, orange, white and/or brown. We suggest regular cleaning, at least once a month.
- Use distilled, soft or purified water (preferably warm) while cleaning and as a last rinse. Dry with a soft cloth.
- General maintenance and/or light buildup can be done with a soft cloth. Windex works well if you want to remove water spots. Otherwise a mild soap or vinegar (1 part vinegar to 3 parts water) will remove light buildup.
- Try to go in the direction of the natural polishing grains
- Heavier build-up can be cleaned using very fine red Scotch-Brite™ cleaning pads.
- In many cases, cleaning over time will greatly reduce reappearance of build-up.

SALTWATER

Stainless steel is not warranted for use in or around salt water. Our products are made of 316 marine grade Stainless Steel. . Stainless steel can get water spots and stainless steel can get deposits of minerals or other natural substances that appeared, white and/or brown. If this happens you'll need to clean the areas each time the build up occurs and after 3-6 cleanings the problem areas should be free of any build up returning.

SAVE THESE INSTRUCTIONS

SAVE THESE INSTRUCTIONS

Record Information on this System Below & Keep for Your Records

Installer _____

System Purchased From _____

Installation Date _____

Serial Number _____

